

PLEASE READ THE FOLLOWING PRIOR TO OPERATION OF THIS EQUIPMENT!

The following are basic safety precautions to understand when operating this Boom Lift or Scissor Lift; also known as a Mobile Elevated Work Platform (MEWP). It is NOT intended to be a complete list of safety precautions. Please review the Operator Manual prior to operation. If one is not on the machine, contact All Star Rents and we will supply one to you prior to operating lift.

Basic Operation & Safety Requirements



This symbol means: **Attention! Be Alert! Your safety is involved!** The safety alert symbols found on decals and in the Operator Manual alert you to potential safety hazards. Obey all safety messages with this symbol to avoid possible injury or death.

Other similar symbols: **⚠️ WARNING** **⚠️ DANGER** **⚠️ CAUTION**



Refer to the Operator Manual for any operational or safety questions you may have. Contact All Star Rents prior to operation if one is not located on the machine. If you are new to operating this machine you should practice in a safe area and refer to Operator Manual for instructions

An ANSI Manual of Responsibilities is in the manual box. This manual details your responsibilities as a User and/or Operator of this MEWP. It is critical to your safety to abide by the information contained in this manual.

Per ANSI regulations any User of this MEWP must have received, or ensure the Operator has received, a prescribed level of training as detailed in the Manual of Responsibilities. Training is available through All Star Rents. The Familiarization we provide at the time of rental is not to be considered a substitute for this training.

A harness and lanyard are required to be worn while operating any “boom” type lift. A new harness and lanyard will be offered to you to purchase at the time of rental. This type of fall protection is typically not required while operating a scissor lift. However, local rules or specific machines may require it. Refer to the Operator Manual.

ALWAYS position the MEWP away from power lines. Refer to the Owner’s Manual for safe operating distances from power lines.

NEVER exceed the capacity of the MEWP. **NEVER** use it as a crane or lifting device for materials. **NEVER** use a MEWP to support a banner or flags. Refer to manual for use in windy conditions.

We advise you to keep a cellular phone on you in the event you need to call for assistance while elevated in the MEWP.



Contact All Star Rents immediately if you have any problems with the machine. DO NOT attempt to repair, upright or start the machine if it has tipped over. Doing so could result in further injury or damage to the equipment. Call 911 first if serious injury as occurred while operating the MEWP.

All Star Rents Toll Free: 866-ALL STAR

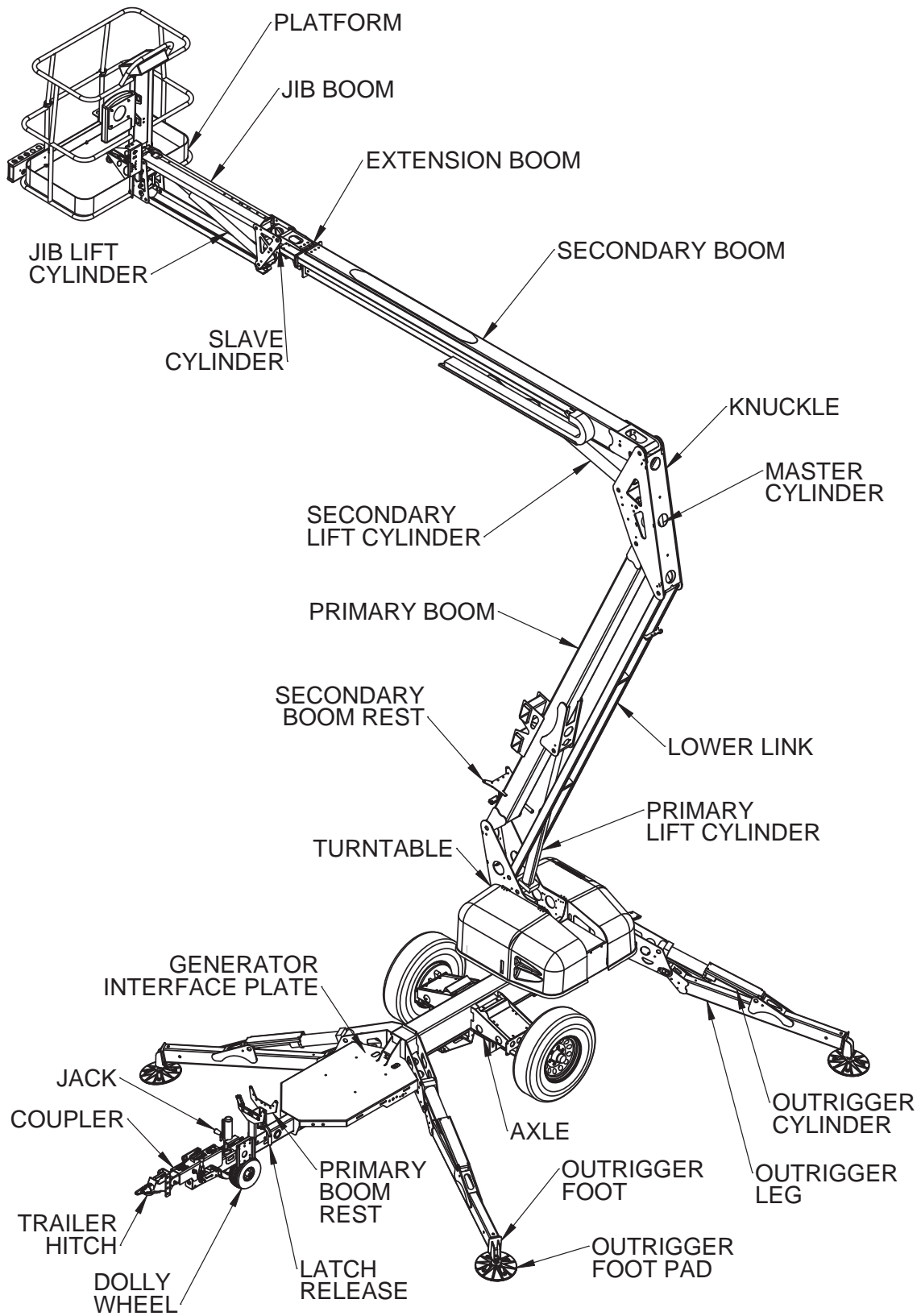
Bil Jax/Haulotte 4527

Familiarization

The following 9 pages are intended as a simple familiarization of some of the controls and safety procedures for the 4527a towable boom lift.

It is not intended as a substitute for the complete operator's and maintenance manual.

PRIMARY MACHINE COMPONENTS



1 SAFETY

Proper training is required for the safe operation of any mechanical device. Failure to follow all instructions and safety precautions in this manual and attached to the aerial work platform will result in death or personal injury.

Prior to Operation:

- Read, understand and obey all instructions and safety precautions in this manual and attached to the aerial work platform.
- Read, understand and obey all Federal, State and Local codes and regulations.
- Become familiar with the proper use of all controls.
- Inexperienced users should receive instruction by a qualified instructor before attempting to operate or maintain the aerial work platform.

The use of intelligence and common sense is the best practice when following any safety policy.

LEGEND: SAFETY ADVISORIES

The following safety advisories are used throughout this manual to indicate specific hazards when operating or maintaining the aerial work platform. Read, understand and obey all safety advisories to prevent improper service, damage to equipment, personal injury or death.



DANGER

Indicates a hazardous situation which if not avoided, will result in death or serious injury.



WARNING

Indicates a hazardous situation which if not avoided, could result in death or serious injury.



CAUTION

Indicates a hazardous situation which, if not avoided, may result in minor or moderate injury.

NOTICE

Contains information important in the prevention of errors that could damage the machine or its components.

NOTE: Contains additional information important for performing a procedure.

BEFORE OPERATION

Ensure the following general safety precautions are followed before operating the aerial work platform:

ALWAYS inspect the usage area for potential hazards, such as unstable or unlevel surfaces, overhead obstructions and electrically charged wires or conductors. **ALWAYS** watch for moving vehicles in the operating area.

ALWAYS conduct a thorough visual inspection of the aerial work platform before operation. Check for damaged or worn parts, hydraulic leaks, damaged wiring, loose wiring conductors, damaged outriggers, low tire pressure, uneven tire wear or tire damage. Check for any improperly operating components. **NEVER** operate the aerial work platform if any damage is observed or suspected. Repair damaged or malfunctioning equipment before operation.

ALWAYS wear proper clothing. Wear protective equipment as required by all Federal, State, and Local codes and regulations. Keep loose clothing, jewelry, gloves and hair away from moving parts.

ALWAYS wear a Safety Harness and energy-absorbing Lanyard, such as the Safety Harness and Lanyard available through the Haulotte Group.

ALWAYS inspect platform floor and outrigger footpads for mud, grease, debris or other foreign material. **ALWAYS** remove any such material from the aerial work platform before operation.

ALWAYS RED tag any part of this machine known or suspected to be damaged or malfunctioning. **ALWAYS** remove a malfunctioning, damaged or defective aerial work platform from service. **NEVER** operate an aerial work platform that has any known or suspected defect.

ALWAYS comply with the instructions found in Safety and / or Service Bulletins distributed by the manufacturer / factory. Bulletins may contain critical procedures that supersede the information contained in this manual.

NEVER operate this aerial work platform while under the influence of drugs or alcohol, while taking prescription medications that may leave the operator drowsy or prone to dizziness, or while feeling ill.

NEVER modify, alter or change the aerial work platform in any way that would affect its original design or operation.

NEVER deface, modify or obscure any decals or markings on the aerial work platform.

NEVER operate this aerial work platform in any way for which it is not intended.

NEVER operate this aerial work platform in explosive or flammable environments.

Before attempting aerial work platform operations, operator(s) should:

- Attend a training program as required by all Federal, State, and Local codes and regulations.
- Obtain, read and obey all safety precautions as indicated by manufacturer's recommendations and all Federal, State and Local codes and regulations.
- Become familiar with the location and use of all controls.
- Verify that there are no overhead obstructions or live power sources in the work area that could interfere with the safe operation of the aerial work platform.
- Cordon off the area surrounding the aerial work platform to keep personnel, vehicles and moving equipment away from the aerial work platform while in use.
- Position the aerial work platform on a firm and level surface.
- Conduct a pre-operation inspection by performing all recommended daily service checks. Refer to the "Equipment Maintenance" section of this manual.

GROUND (LOWER) CONTROL PANEL

The ground (lower) control panel is used to operate outriggers and all boom functions. To access the ground (lower) control panel, open the control panel access cover found on the turntable.

The ground (lower) control panel includes the following controls and indicators. Refer to Figure 3-1.

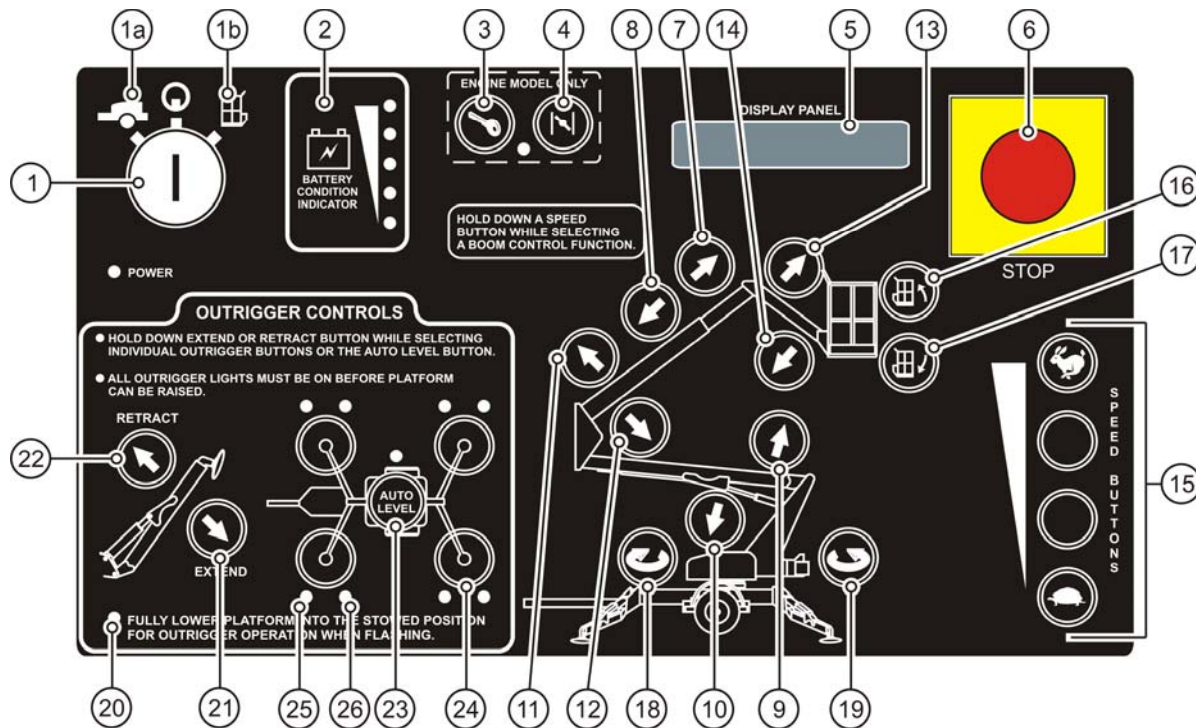


Figure 3-1. Ground (Lower) Control Panel

1. Key Switch

Turning the **KEY SWITCH (1)** counter clockwise to the **GROUND (1a)** icon selects operation from the ground (lower) control panel. Turning the **KEY SWITCH (1)**, clockwise to the **PLATFORM (1b)** icon selects operation from the platform (upper) control panel. Turning the **KEY SWITCH (1)** to the vertical position (power “OFF”) interrupts all electric and hydraulic power operations except emergency lowering. Removal of the **KEY** protects against any unauthorized person attempting to operate the aerial work platform. The **KEY** may be removed with the **KEY SWITCH (1)** in any selected position.

2. Battery Condition Indicator

Indicator LEDs light up to indicate the level of charge in the batteries.

- A lighted green LED indicates an adequate charge level.
- A lighted yellow LED indicates the need for charging soon.
- A lighted red LED warns that the battery charge level is low; all functional operations become non-functional until the batteries are recharged.

3-4. Engine Choke and Start / Glow Plug (Models with Engines Only)

Start a cold engine by pressing (pushing) in and holding the **CHOKE (4)** button then press (push) the **ENGINE START (3)** button. To start / restart a warm engine, press (push) the **ENGINE START (3)** button only.

GLOW PLUG OPERATION – Press (push) the **GLOW PLUG (4)** button and hold for 30-60 seconds then press (push) the **ENGINE START (3)** button.

GROUND (LOWER) CONTROL PANEL (CONTINUED)

5. Display Panel

The **DISPLAY PANEL** is a lighted text window that displays the current operating status or an existing error condition when the **KEY SWITCH (1)** is positioned at either **(1a)** or **(1b)**.

6. Emergency Stop Button

When pushed in, the **EMERGENCY STOP (6)** button disconnects electrical power to the ground (lower) and platform (upper) control panels. The **EMERGENCY STOP** button should only be pressed (pushed) in to immediately stop all aerial work platform motion. To resume control, "pull out" the **EMERGENCY STOP (6)** button.

7-8. Boom Extend / Retract Buttons

Pressing (pushing) in and holding a desired **SPEED (15)** button, and the **BOOM EXTEND (7)** button at the same time extends the secondary boom. Pressing (pushing) in and holding a desired **SPEED (15)** button, and the **BOOM RETRACT (8)** button at the same time retracts the secondary boom. Telescopic boom motion continues until the buttons are released, or until the boom reaches a hard stop, or a safe travel limit.

9-14. Boom Raise / Down (Lower) Buttons and Jib Raise / Down (Lower) Buttons

- Pressing (pushing) and holding a desired **SPEED (15)** button, and the **PRIMARY BOOM RAISE (9)** button at the same time will raise the primary boom. Pressing (pushing) and holding a desired **SPEED (15)** button, and the **PRIMARY BOOM DOWN (10)** button at the same time will retract the primary boom.
- Pressing (pushing) and holding a desired **SPEED (15)** button, and the **SECONDARY BOOM RAISE (11)** button at the same time will raise the secondary boom. Pressing (pushing) and holding a desired **SPEED (15)** button, and the **SECONDARY BOOM DOWN (12)** button at the same time will retract the secondary boom.
- Pressing (pushing) and holding a desired **SPEED (15)** button, and the **JIB BOOM RAISE (13)** button at the same time will raise the **JIB BOOM**, pressing (pushing) and holding a desired **SPEED (15)** button, and the **JIB BOOM DOWN (14)** button at the same time will retract the **JIB BOOM**.

The selected Boom motion continues until the buttons are released or until the selected boom reaches a hard stop or a safe travel limit.

15. Speed Buttons

The **SPEED (15)** buttons are located along the lower right side of the control panel, one of the speed buttons must be pressed (pushed) in and held while selecting any boom function. There are four speeds that range from fast (**RABBIT**), to slow (**TURTLE**), available to help control the positioning of the Boom and the Jib.

16-17. Platform Tilt Buttons

Press (push) and hold any **SPEED (15)** button, and the desired **PLATFORM TILT UP (16)** or **PLATFORM TILT DOWN (17)** button at the same time to level the work platform (this levels the platform only, NOT the aerial work platform).

18-19. Boom Rotation Buttons

Pressing (pushing) and holding a desired **SPEED (15)** button, and the **BOOM ROTATION (18)** button at the same time enables the boom to rotate in the **CLOCKWISE** direction. Pressing (pushing) and holding a desired **SPEED (15)** button, and the **BOOM ROTATION (19)** button at the same time enables the boom to rotate in the **COUNTER CLOCKWISE** direction. The boom will rotate through 700° of Non-Continuous rotation until the buttons are released or the stop is reached.

GROUND (LOWER) CONTROL PANEL (CONTINUED)

20. Auto Level LED

When this LED is “FLASHING” it indicates that the booms are not in the “stowed” position, and the outriggers cannot be operated (non-functional). When this LED is “ON SOLID” it indicates that the booms are in the “stowed” position, and the outriggers can be operated (functional).

21-24. Outrigger Controls

For simultaneous automatic outrigger extension / retraction of all four (4) outriggers: Select the **EXTEND (21)** button or **RETRACT (22)** button and the **AUTO LEVEL (23)** button at the same time. To individually extend or retract the outriggers: Select the **EXTEND (21)** button or **RETRACT (22)** button, and one of the four **OUTRIGGER (24)** buttons at the same time. The outrigger indicator LED **(20)** lights up when the outriggers are properly deployed and the aerial work platform weight is on the outrigger foot pads. Each of the outer outrigger LEDs **(25)** indicates load is on the outrigger footpad. Each of the inner outrigger LEDs (26), when flashing, indicate that side is low, and needs to be further raised for leveling.

PLATFORM (UPPER) CONTROL PANEL

The platform (upper) control panel is used to control all boom functions. The platform (upper) control panel is activated by turning the **KEY SWITCH (1)** on the ground (lower) control panel, clockwise to the **PLATFORM (1b)** icon. Enter the work platform using a three (3) point contact (both hands and one foot).

The platform (upper) control panel includes the following controls and indicators. Refer to Figure 3-2.

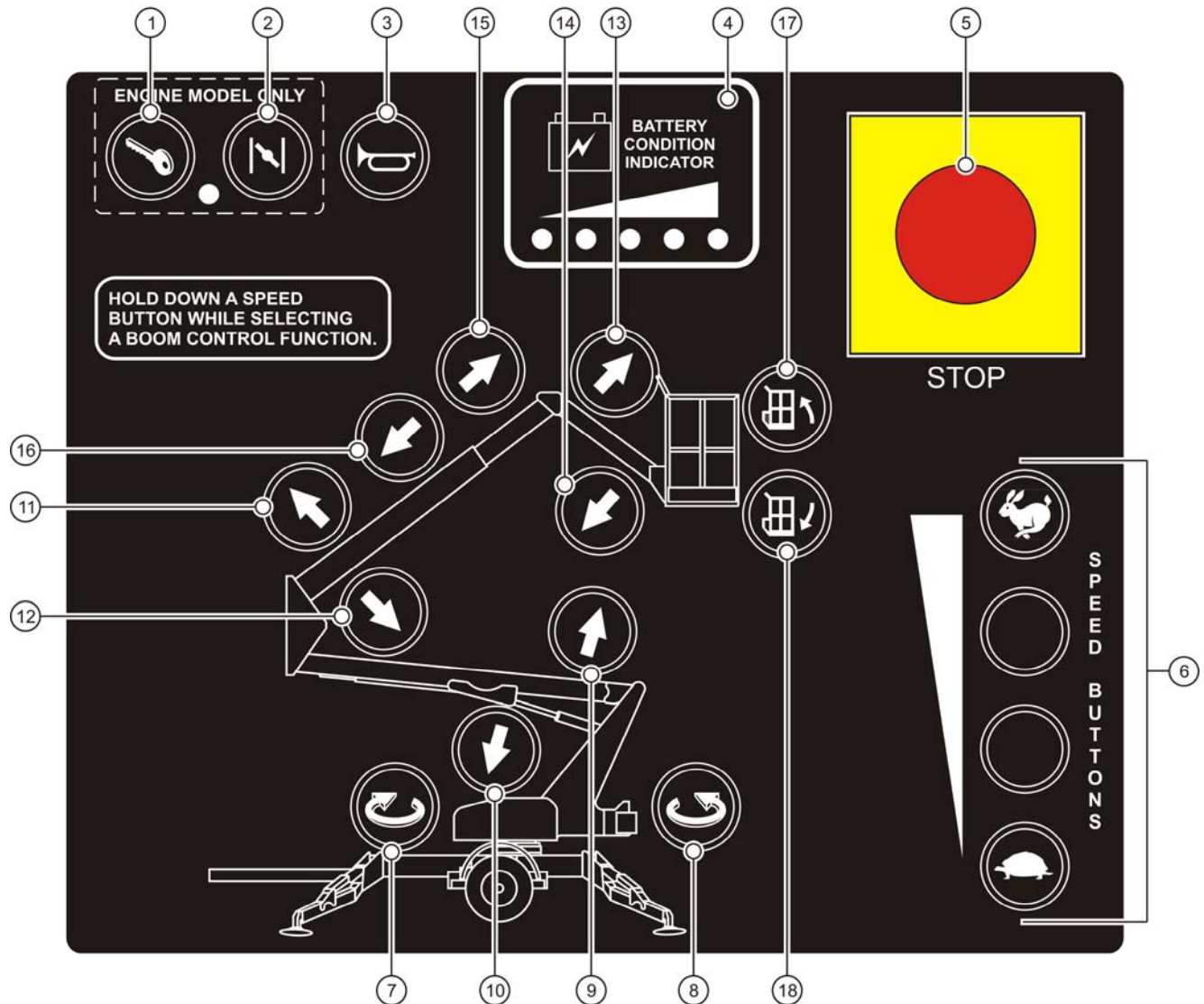


Figure 3-2. Platform (Upper) Control Panel

1-2. Engine Choke and Start / Glow Plug (Models with Engines Only)

Start a cold engine by pressing (pushing) and holding the **CHOKE (2)** button, and pressing (pushing) the **ENGINE START (1)** button to start the Engine. To start / restart a warm Engine, press (push) the **START (1)** button only.

GLOW PLUG OPERATION – Press (push) and hold the **GLOW PLUG (2)** button for 30-60 seconds then press (push) the **ENGINE START (1)** button.

3. Horn Button

Pressing (pushing) the **HORN (3)** button will sound the **HORN**. Use the **HORN (3)** button to warn personnel in the area of a falling object hazard, impending boom motions, or the need for assistance.

PLATFORM (UPPER) CONTROL PANEL (CONTINUED)

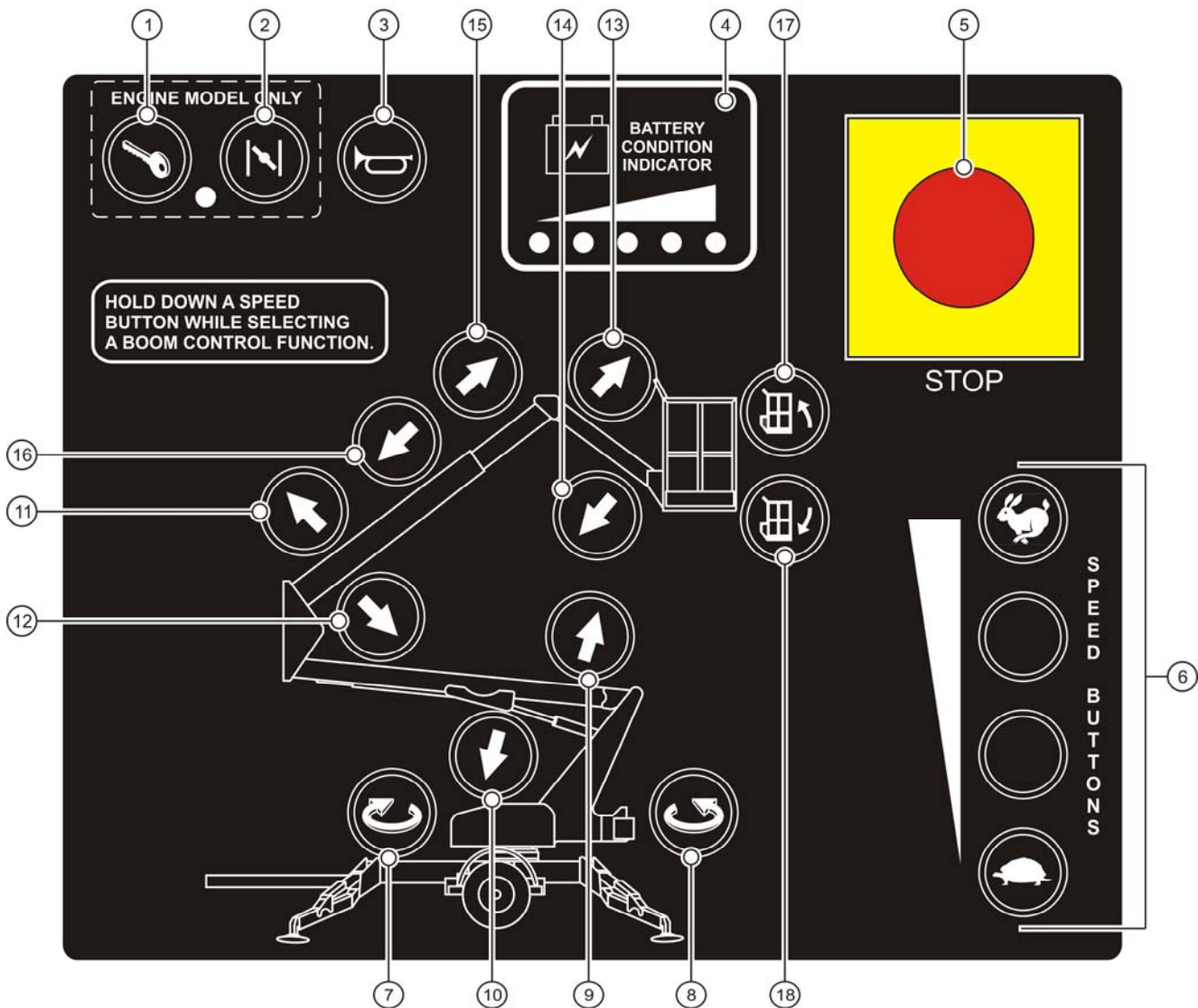


Figure 3-2. Platform (Upper) Control Panel

4. Battery Condition Indicator

Indicator LEDs light up to indicate the level of charge in the batteries.

- A lighted green LED indicates an adequate charge level.
- A lighted yellow LED indicates the need for charging soon.
- A lighted red LED warns that the battery charge level is low; all functional operations become non-functional until the batteries are recharged.

5. Emergency Stop Button

When pushed in, the **EMERGENCY STOP (5)** button disconnects electrical power to the ground (lower), and platform (upper) control panels. The **EMERGENCY STOP (5)** button should only be pressed (pushed) in to immediately stop all boom functions. To resume control, pull the **EMERGENCY STOP (5)** button out.

6. Speed Buttons

The **SPEED (6)** buttons are located along the lower right side of the control panel, one of the speed buttons must be pressed (pushed) in and held while selecting the various boom functions. There are four speeds that range from fast (**RABBIT**), to slow (**TURTLE**), available to help control the positioning of the Boom and the Jib.

PLATFORM (UPPER) CONTROL PANEL (CONTINUED)

7-8. Boom Rotation Buttons

Pressing (pushing) in and holding a desired **SPEED (6)** button and the **BOOM ROTATION (7)** button at the same time enables the boom to rotate in the **CLOCKWISE** direction. Pressing (pushing) and holding a desired **SPEED (6)** button and the **BOOM ROTATION (8)** button at the same time enables the boom to rotate in the **counter CLOCKWISE** direction. The boom will rotate through 700° of Non-Continuous rotation until the buttons are released or the stop is reached.

9-14. Boom Raise / Down Buttons and Jib Raise / Down Buttons

- Pressing (pushing) and holding a desired **SPEED (6)** button, and the **PRIMARY BOOM RAISE (9)** button at the same time will raise the primary boom, pressing and holding a desired **SPEED (6)** button, and the **PRIMARY BOOM DOWN (10)** button at the same time will lower the primary boom.
- Pressing (pushing) and holding a desired **SPEED (6)** button, and the **SECONDARY BOOM RAISE (11)** button at the same time will raise the secondary boom. Pressing (pushing) and holding a desired **SPEED (6)** button, and the **SECONDARY BOOM DOWN (12)** button at the same time will lower the secondary boom.
- Pressing (pushing) and holding a desired **SPEED (6)** button, and the **JIB BOOM RAISE (13)** button at the same time will raise the jib boom, pressing (pushing) and holding a desired **SPEED (6)** button, and the **JIB BOOM DOWN (14)** button at the same time will lower the **JIB BOOM**.

The selected Boom motion continues until the buttons are released or until the selected boom reaches a hard stop or a safe travel limit.

15-16. Boom Extend / Retract Buttons

Pressing (pushing) and holding a desired **SPEED (6)** button, and the **BOOM EXTEND (15)** button at the same time extends the secondary boom. Pressing (pushing) and holding a desired **SPEED (6)** button, and the **BOOM RETRACT (16)** button at the same time retracts the secondary boom. Telescopic boom motion continues until the buttons are released, or until the boom reaches a hard stop, or a safe travel limit.

17-18. Platform Tilt Buttons

Press (push) and hold any **SPEED (6)** button, and the desired **PLATFORM TILT UP (17)** or **PLATFORM TILT DOWN (18)** button at the same time to level the work platform (this levels the platform only, NOT the aerial work platform).

Outlet

An outlet has been provided as a power source for running electrical power tools, while in the work platform. The power plug is located on the trailer frame, in front of the accessory equipment stowage plate. A connecting power cord **must** be plugged into a suitable power source. The outlet is rated for a 15-ampere load. **DO NOT** overload the accessory power circuit.